

# DRINKING FOUNTAIN

STAINLESS STEEL - WITH UNDERSHROUD

MODEL  
GW-362

**Gentworks**



- Smooth rounded design with under-shroud
- 1.5mm thick Grade 304 satin stainless steel
- Shroud conceals plumbing connections
- Heavy duty NSF or WRAS approved bubbler tap
- Suitable for indoor or outdoor use
- Shallow P Trap installation
- Side positioned bubbler for optimum flow trajectory
- Ideal for schools and public amenities

This robustly made wall mounted drinking fountain is constructed from 1.5mm thick satin polished stainless steel. It can be installed for adult or junior height. For safety purposes, the unit features a smooth rounded shape, avoiding sharp corners which could cause injury to the user.

This model comes with appropriate wall mounting brackets and is manufactured in one piece from grade 304 stainless steel. It features a 215mm deep under-shroud and a removable baseplate which allow the water inlet and waste connections to be concealed.

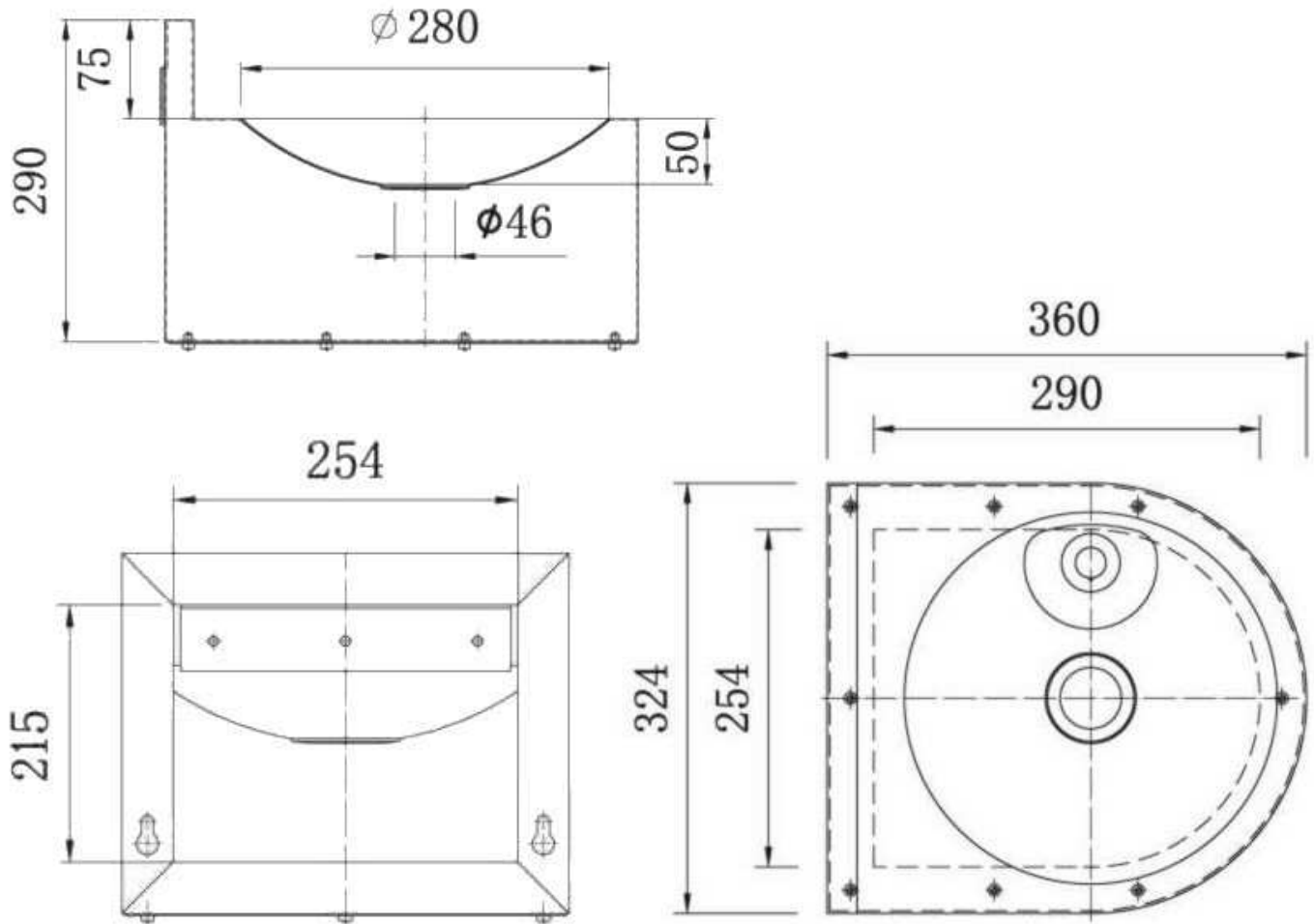
For ease of use, the bubbler valve is situated to one side, on a raised landing area and features a shielded outlet nozzle. The integrated splashback provides for ease of cleaning.

This stainless steel drinking fountain is suitable for outside installation but will need to be isolated and drained down during periods of freezing weather to prevent damage to the valve and pipework.

Supplied with a 32mm grated waste fitting and a chrome plated brass shielded bubbler complete with water inlet fitting to suit 15mm diameter pipework.

### Sample specification Text

Stainless steel Wall Mounted Drinking Fountain with under-shroud - 324mm (W) x 360mm (D) x 290mm (H). Supplied complete with concealed access hatch, mounting bracket and push button bubbler tap - Product Code GW-362



**Recommended Mounting Heights:** Top of front Apron to finished floor - Junior 762mm, Adult 915mm

### Dispenser Options Specify when ordering



**Heavy Duty Bubbler Valve:** NSF shielded chrome press button drinking water bubbler valve (tap) with easily replaceable self-contained **Pro-Flo™** cartridge.



**WRAS Approved Bubbler Valve:** Chrome press button drinking water bubbler valve (tap) approved product in accordance with UK water regulations.



**Bottle / Cup Filler:** self-closing push button valve fitted with a 255mm high, chrome plated, fixed brass swan-neck spout. Water only flows whilst the button is depressed.

